

## Cladding Power Stripper (CPS)

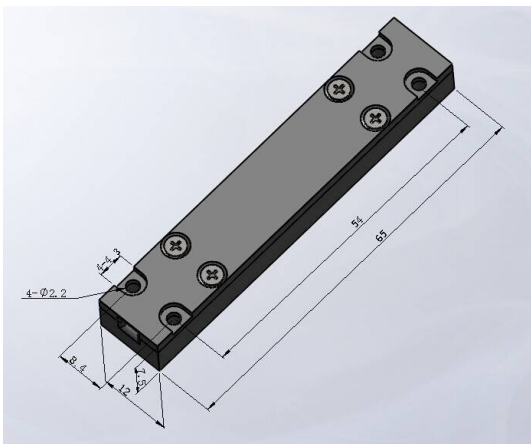
<b>Features:</b>
Low Loss High reliability
<b>Application:</b>
Fiber Laser & Amplifier

### Specifications

Fiber	Working Wavelength (nm)	Insertion Loss (dB)	PER (dB)	Min. Stripe Efficiency	Power (W)
X/125 or 130 DC X/250 DC X/300 DC	1064nm or 1550nm	0.2		20dB (>99%)	50
PM X/125 DC PM X/250 DC PM X/300 DC	1064nm or 1550nm	0.2	>18		

**\*X means difference fiber core size, fiber core 6um, 8um, 10um, 12um, 15um, 25um, 30um**

### Package Dimensions (mm)



### Ordering Information

CPS	Wavelength	Fiber	Pigtail	Length	Power
	1550=1550 1064=1064	XXX: Pls write fiber core/Cladding	0=bare fiber	H=0.5M 8=0.8M 1=1m S=Specify	50=50W XX=Other